

# Panel mounted receptacle Cepex

Part number: 4479



**MENNEKES**  
Elektrotechnik GmbH & Co. KG

Aloys-Mennekes-Straße 1  
57399 Kirchhundem  
GERMANY

[www.MENNEKES.org](http://www.MENNEKES.org)

# Product Description

- screw connection technology

## Technical Details

Panel mounted receptacle Cepex	4479
Product serie	Cepex
Ampere	16A
Number of poles	5p
Clock position	6h
Nominal voltage AC	400V
Nominal frequency	50 - 60 Hz
Protection type IP	IP54
Contact carrier	standard
X-CONTACT	no
Connection	screw terminals
Contact screw drive	PZ2, slot
Pilot contact	without pilot contact
Pilot contact switch	no
Insertion direction	straight
Highly resistant to chemicals	no
Military version	no
Lockable	no
Labeling field	no
Tightening torque connection terminal	1.2 Nm
Strip length flexible conductor	8 - 10 mm
Strip length solid conductor	8 - 10 mm
Conductor cross-section min.	1.5 mm <sup>2</sup>
Conductor cross-section max.	4 mm <sup>2</sup>
Weight (net)	218 g
Packaging unit	8 pcs
Quantity per pallet	720 pcs

Panel mounted receptacle Cepex	4479
EAN / identification number	4015394315544

**Permissible ambient conditions**

	Min.	Max.
Permanent ambient temperature	-25 °C	40 °C
Average temperature over 24 hours		35 °C

**Material properties**

Housing	PC/ASA white aluminium [similar RAL 9006]
Hinged lid	PC/ASA light grey [similar RAL 7035]

**Material resistance**

The material resistance overview can be found on the website in the section “Knowledge” - “Product knowledge” - “Materials”.

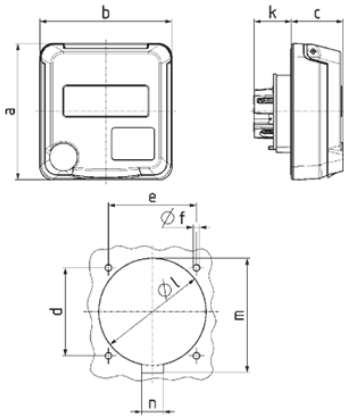
**Material and environmental properties**

RoHS 2011/65/EU incl. 2015/863/EU	✓
POP regulation (EU) 2019/1021	✓

**Regulations and Standards**

Norm	DIN EN IEC 60309-2
Declaration of Conformity	CE

# Dimensional Drawing



Drawing 1 MB 750	Amp. Poles	16			32		
		3	4	5	3	4	5
Dim. in mm	<b>a</b>	93	93	93	93	93	93
	<b>b</b>	90	90	90	90	90	90
	<b>c</b>	36	36	36	36	36	36
	<b>d</b>	60	60	60	60	60	60
	<b>e</b>	60	60	60	60	60	60
	<b>f</b>	4.5	4.5	4.5	4.5	4.5	4.5
	<b>k</b>	26	27	27	43	43	43
	<b>l</b>	68	68	73	73	73	73
	<b>m</b>	-	-	-	78	78	78
	<b>n</b>	-	-	-	15	15	15
Terminal for cond. cross section (mm <sup>2</sup> ) min.-max.		1.5	1.5	1.5	2.5	2.5	2.5
		-4	-4	-4	-6	-6	-6