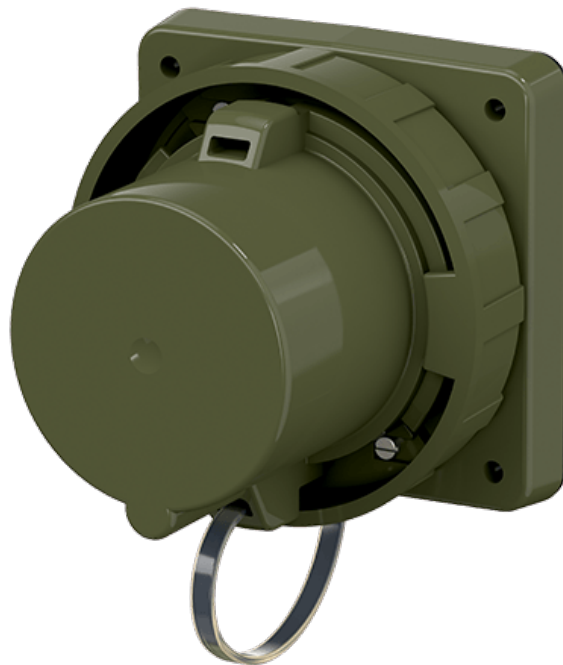


Panel mounted inlet

Part number: 23433



MENNEKES
Elektrotechnik GmbH & Co. KG

Aloys-Mennekes-Straße 1
57399 Kirchhundem
GERMANY

www.MENNEKES.org

Product Description

- highly heat resistant contact carrier, nickel plated contacts
- frame terminals
- external fixing
- with protective cap attached by a strap
- a retaining nose to hold the hinged lid of the connector must be provided by the customer in order to ensure satisfactory locking
- (form AP)

Technical Details

Panel mounted inlet	23433
Ampere	125A
Number of poles	5p
Clock position	6h
Nominal voltage AC	400V
Nominal frequency	50 - 60 Hz
Protection type IP	IP67
Contact carrier	highly heat resistant contact carrier, nickel plated contacts
Connection	frame terminals
Tightening torque connection terminal	allen key
Phase inverter	without phase inverter
Pilot contact	1 pilot contact
Flange dimensions	130 x 130 mm
Hole spacings	104 x 104 mm
Insertion direction	straight
Type of mounting	external fixing
Military version	yes
Protection cap	with protection cap
Tightening torque connection terminal	10 Nm
Recommended wire end treatment for supply cable connection terminal	usable with and without ferrule
Strip length conductor	27 mm
Conductor cross-section min.	25 mm ²
Conductor cross-section max.	70 mm ²

Panel mounted inlet	23433
Weight (net)	1274 g
Packaging unit	5 Stück
Quantity per pallet	270 Stück
EAN / identification number	4015394044222

Permissible ambient conditions

	Min.	Max.
Permanent ambient temperature	-25 °C	40 °C
Average temperature over 24 hours		35 °C

Material properties

Front part	PA/ABS black [similar RAL 9005]
Flange	PC bronze green [similar RAL 6031]
Protective cap	PC bronze green [similar RAL 6031]
Bayonet ring	PBT/PC bronze green [similar RAL 6031]

Material resistance

The material resistance overview can be found on the website in the section “Knowledge” - “Product knowledge” - “Materials”.

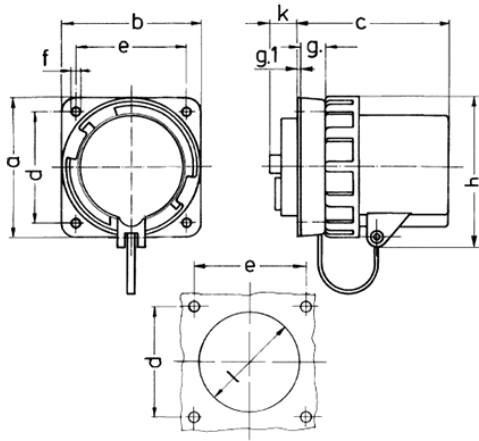
Material and enviromental properties

RoHS 2011/65/EU incl. 2015/863/EU	✓
POP regulation (EU) 2019/1021	✓

Regulations and Standards

Norm	DIN EN IEC 60309-2
Declaration of Conformity	CE

Dimensional Drawing



Drawing	Amp.	125
2 MB 206	Poles	5
Dim. in mm	a	130
	b	130
	c	120
	d	104
	e	104
	f	6.5
	g.	18
	g.1	2
	h	131
	k	28
	l	95
Terminal for cond. cross section (mm ²) min.-max.		25 —70